



On-Premises Rear Control Front Load Washer

Our front load washers use as little as 13.68 gallons (51.8 liters) per cycle, saving 40 percent more than many commercial top load washers. Fast cycle times get the job done quickly, while a large-capacity cylinder provides room for bulky items.

Power

Our high spin speed up to 440 G-Force removes more water from clothes, speeding up drying cycles and lowering dryer energy usage.

Smart

Improved suspension with new out-of-balance logic manages and redistributes unbalanced loads for uninterrupted wash cycles.

Flexibility

A pump drain allows our front load washers to be installed adjacent to, or replace, top load washers with no special plumbing. (A gravity drain option is also available.)

Electronic Control

The Electronic Control keeps users informed throughout the wash process with cycle-status lights and a digital cycle countdown. Users also have the flexibility to control temperature, load type and soil levels, as well as options for prewash and/or additional rinse to achieve high levels of efficiency.



English keypad

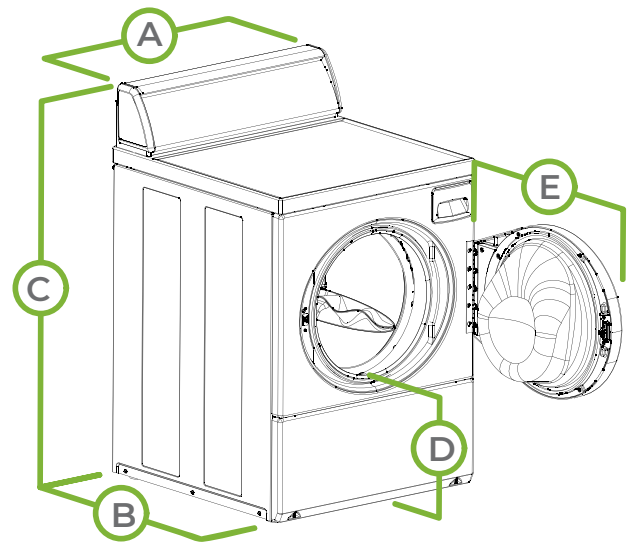


Icon keypad

On-Premises Rear Control Front Load Washer Specifications

SPECIFICATIONS

Models	YFNE5RSP115TW01	
Control Option	Electronic Homestyle	
Control Location	Rear	
Capacity - lb (kg)	21.5 (10)	
Cylinder Volume - cu. ft. (liters)	3.42 (96.8)	
Overall Width - in (mm)	26.875 (683)	
Overall Depth - in (mm)	27.73 (704)	
Overall Height - in (mm)	43 (1092)	
Spin Speed G-Force -RPM	440 (1200)	
Motor Power Consumption - hp (kw) Variable Speed Induction	0.9 (0.67)	
Water Consumption Per Cycle -g (l)	13.68 (51.8)	
IWF (Water Factor)	4.0 (0.53)	
IMEF (Modified Energy Factor)	2.20 (62.3)	
Available Water Temperatures	3	
*Available Cycles	Heavy Duty, Normal Eco, Perm Press, Delicate, Rinse & Spin, Spin Only	
Water Pressure -PSI (Bar)	20-120 (1.4/8.3)	
Cycle Indicator Lights	Yes	
Cylinder Finish	Stainless Steel	
Available Colors	White	
Door Type (Solid/Window)	Window	
Available Electrical Requirements - Voltage/Hz/Ph - Circuit Amperage	120/60/1 - 15	
Shipping Dimensions Approx. - in (mm)	Width	30 (762)
	Depth	34 (864)
	Height	44.5 (1130)
Net Weight - lb (kg)	260 (118)	
Shipping Weight - lb (kg)	270 (122)	
Agency Approvals	cULus	



DIMENSIONS

A.	Overall Width - in (mm)	26.875 (683)
B.	Overall Depth - in (mm)	27.73 (704)
C.	Overall Height - in (mm)	43 (1092)
D.	Door Bottom To Floor - in (mm)	14.6 (371)
E.	Door Swing - in (mm)	24.06 (611)

* Information shown applies to highest end control available.

Note: Not all options are available for all models.
Twelfth digit in model number indicates US or Canadian unit. C=Canada & T=US.

Refer to the price list for the available models and options.

Lower unit is ADA Compliant.

For the most accurate information, the installation guide should be used for all design and construction purposes. Due to continuous product improvements, design and specifications subject to change without notice. The quality management systems at Alliance Laundry Systems are registered to ISO 9001.

©Copyright 2019 Alliance Laundry Systems LLC